



QUON 11-Litre

CW 26 400 | 460

6x4 Rigid



SPECIFICATIONS

Power:	GH11TB - 294 kW (400 PS) @ 1600 rpm GH11TD - 338 kW (460 PS) @ 1700 rpm #
Torque:	GH11TB - 2000 Nm (1475 lb.ft) @ 950 rpm GH11TD - 2250 Nm (1659 lb.ft) @ 1000 rpm #
Transmission:	ESCOT-VI automated manual transmission (AMT)
Rear Suspension:	Leaf spring or electronically controlled air suspension
Wheelbase:	Refer weights and dimensions table
GVM:	26,000 kg
GCM:	50,000 kg (400hp) 60,000 kg (460hp)

QUON UNIQUE FEATURES



NEW SMART FUEL EFFICIENT ENGINES WITH RESPECT FOR THE ENVIRONMENT

GH11 engine: fuel efficient, powerful and clean.



SMART UPTIME

Quon has been designed to further optimise uptime, with superior reliability and increased maintenance intervals.



SMART SAFETY

Active safety with mechanical and electronic features throughout, including safety for vulnerable road users.



SMART PRODUCTIVITY

Light weight chassis helping to maximise payload. New engines with improved horsepower and torque to increase productivity.



SMART DRIVABILITY

The cabin has been designed with the user's comfort in mind, with outstanding ergonomics and visibility allowing the driver to concentrate on driving.

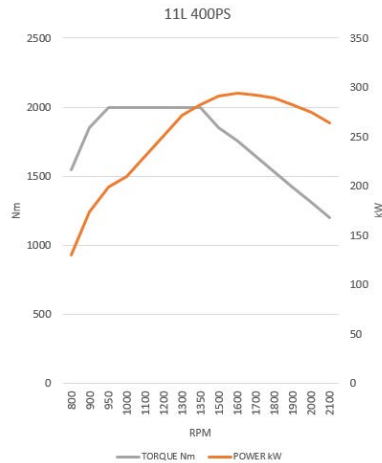
GENERAL SPECIFICATIONS

ENGINE

Model:	GH11TB GH11TD
Description:	6 cylinder, 4 stroke diesel engine
Displacement:	10,837 cc
Bore x stroke:	123 mm x 152 mm
Compression ratio:	17.5:1
Max. governed engine speed:	2,100 rpm

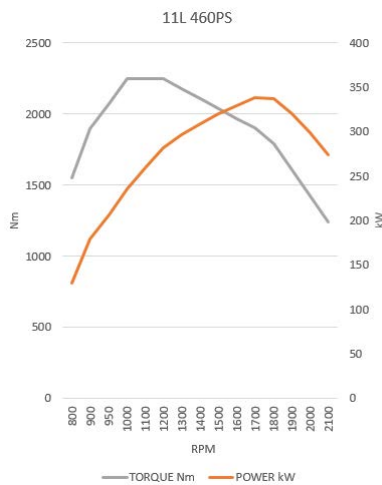
GH11TB400PS

294kW (400PS) @ 1,600rpm
2,000Nm (1475 lb-ft)
@ 950 -1,350rpm



GH11TD460PS

338KW(460PS) @ 1,700rpm
2,250Nm (1659 lb-ft)
@ 1,000 - 1,200rpm



SAFETY

Passive Safety:	Highly rigid cabin Side door beams Front underrun protection system (FUPS) SRS driver steering wheel airbag Driver side seat belt with pre-tensioner Steering wheel & column with impact absorption function
Active Safety:	Traffic Eye Brake System Traffic Eye Cruise Control with auto stop and driver initiate go LDWS (Lane Departure Warning System) Electronic Stability Control (UDSC) Automatic Hill Start Assist (HSA) Lane change support LHS & RHS Blind side information system LHS & RHS
Basic Safety:	LED Headlamps Disc brakes Anti Locking Brake System Emergency Braking System UD Extra Engine Braking (UD EEB) Safe Brake Blending Immobiliser Two-step entry and exit

FUEL AND INTAKE SYSTEM

Fuel capacity:	400 litres
Injection type:	High pressure common rail direct fuel injection system
Filtration:	Chassis mounted primary filter and engine mounted secondary filter

EMISSION CONTROL

Emission standard:	pPNLT (Japan 2016)
Adblue capacity:	50 litres
Exhaust system:	RHS chassis mounted box muffler

ELECTRICAL

Power:	24 volt, negative ground system
Battery capacity:	2 x 12 volt 165 Ah batteries
Alternator:	150 amp

TRANSMISSION

Make:	UD Trucks																												
Model:	ESCOT-VI (AT02612F)																												
Description:	Automated manual transmission (AMT) 12 forward & 2 reverse gears																												
Shift type:	Electronic shifter with fully automatic or manual control																												
Gear ratios:	<table border="0"> <tr> <td>1st</td> <td>11.73</td> <td>7th</td> <td>2.70</td> </tr> <tr> <td>2nd</td> <td>9.21</td> <td>8th</td> <td>2.12</td> </tr> <tr> <td>3rd</td> <td>7.09</td> <td>9th</td> <td>1.63</td> </tr> <tr> <td>4th</td> <td>5.57</td> <td>10th</td> <td>1.28</td> </tr> <tr> <td>5th</td> <td>4.35</td> <td>11th</td> <td>1.00</td> </tr> <tr> <td>6th</td> <td>3.41</td> <td>12th</td> <td>0.78</td> </tr> <tr> <td>Rev 1</td> <td>13.73</td> <td>Rev 2</td> <td>10.78</td> </tr> </table>	1st	11.73	7th	2.70	2nd	9.21	8th	2.12	3rd	7.09	9th	1.63	4th	5.57	10th	1.28	5th	4.35	11th	1.00	6th	3.41	12th	0.78	Rev 1	13.73	Rev 2	10.78
1st	11.73	7th	2.70																										
2nd	9.21	8th	2.12																										
3rd	7.09	9th	1.63																										
4th	5.57	10th	1.28																										
5th	4.35	11th	1.00																										
6th	3.41	12th	0.78																										
Rev 1	13.73	Rev 2	10.78																										
PTO capacity:	500 Nm @ 103% or 81% (PTR-FH6) 1000 Nm @ 115% or 90% (PTR-D)																												

FRONT AXLE AND SUSPENSION SYSTEM

Ground capacity:	8,200 kg
Axle type:	Reverse Elliot I-Beam
Suspension:	Parabolic leaf spring with double acting shock absorbers
Spring dimensions:	90mm x 1460mm
Spring constant:	347.7 N/mm

REAR AXLE AND SUSPENSION SYSTEM

Ground capacity:	21,000 kg
Axle type / model:	Single reduction, hypoid gear, with cross locks
Final reduction ratio:	4.50 S & K wheelbase code, 4.13 AS & L wheelbase code
LEAF SUSPENSION	
Description:	Multi-leaf spring suspension, with rubber cushions
Leaf dimensions:	75mm x 1380mm
AIR SUSPENSION	
Description:	8 air bag
Shock absorbers:	Telescopic double acting
Control system:	Electronic Controlled Air Suspension with remote control mounted in cab (ECAS4)

BRAKES

Type:	Electronic braking system (EBS) with disc brakes on all axles
Front/Rear:	430 mm rotors / 430 mm rotors
Park brakes:	Hand-operated pneumatic spring park brake on drive axles
Auxiliary brake:	Exhaust plus engine compression type (EEB)
Trailer connections:	Air and electrical connections to rear of chassis

STEERING

Type:	Recirculating ball and screw with hydraulic assist
Steering gear ratio:	24.1 - 26.8 : 1
Column:	Adjustable, tilt and telescopic control
Steering wheel:	460 mm diameter with ignition key steering lock

TYRES	S & K Wheelbase Code	AS & L Wheelbase code
Tyre size front:	295/80 R22.5	275/70 22.5
Tyre size rear:	11R 22.5	275/70 22.5
Tyre brand:	Bridgestone	

FRAME

Width:	850 mm
Side rail dimensions:	300 mm x 90 mm x 8 mm
Material:	Rolled high tensile carbon steel
Tensile strength:	600MPa / 600N/mm ²

DRIVER INFORMATION & CUSTOMISABLE COLOUR DISPLAY SCREEN

In Dash Warning Systems:	Visual warning lamps with audible warning tones, plus written warnings displayed in full colour on the information screen
In Dash Driver Information:	Customisable live information includes: On board fuel coaching with economy tips, fuel & AdBlue usage, instant fuel consumption, digital speedo, trip computer including: time, distance & distance to empty. Hour meter, coolant temp, engine oil temp, transmission oil temp, UDPC level, volt meter.

INTERNAL CABIN

Lighting:	Dual ON/OFF/DOOR interior lights Interior neon cabin lamp
Seating capacity:	Three ISRI 6860/875 air suspended seat with integrated seat belt & adjustable arm rest.
Driver's seat:	Adjustable height control & rebound damper. With split seat back adjustments for recline & head rest position. Seat base tilt, seat cushion slide, seat air dump switch. Adjustable air bladders (4) for side bolsters, upper & lower lumbar
Passenger seat/s:	Assistant seat with adjustable back & head rest
Sleeping capability:	ADR 42/04 compliant sleeper bunk with mattress and full curtains
Side windows:	Power operated door glass
Security:	Remote central locking with immobiliser
Air conditioning:	Fully automatic climate controlled air conditioning with recirculation filter
Multimedia unit:	8" capacitive multi-touch screen TFT 800x480 RGB min USB: 1 x front, 3 x rear automotive 2GB RAM and 16GB total flash memory. Bluetooth 4.1 - A2DP with hands free, phone contacts transfer, call history & SMS. WIFI embedded 802.11 b/g/n. Built in Gyro. Built in chipset GPS with external antenna Internal microphone with optional external. Camera inputs: 4 inputs, reverse, body, left & right side. Hardwire reverse camera input with CAN interface
Storage:	Multiple in-cab compartments
Power outlet:	24 volt 240W & 12 volt 120W in dash
DIN accessory fitment:	Two DIN sized compartments
Floor covering:	Vinyl

EXTERNAL CABIN

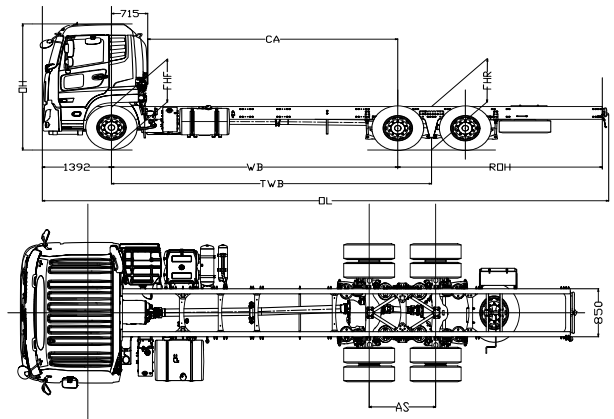
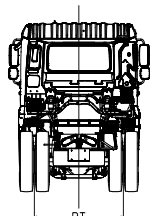
Cab Description:	Forward control, pressed steel construction
Mounting type:	Full floating, 4 bag air suspended cab with 4 dual acting shock absorbers and dual automatic height control valves.
Cab paint:	Standard – Polar White
Bumper type:	3 piece with steel corner panels
Mirrors:	Heated and electrically operated main mirrors with flat glass, wide vision and passenger-side downward facing spot mirrors
Lamps:	LED head lamps (low beam) Bumper mounted fog lamps Roof mounted clearance lights
Wipers:	Triple arm, 2 speed wipers with variable intermittent operation and integrated washers
Reversing system:	Reverse beeper

WEIGHTS AND DIMENSIONS (approx.)

Variant	Wheelbase code	Mass (kg)			i) 400HP							Vehicle Dimensions (mm)							UD order code
		GVM*	GCM	Total Tare ¹	WB	TWB	OL	OW	OH	FT	RT	AS	ROH	CA	GC ²	FHF ²	FHR ²	Turning radius (kerb to kerb)	
UD-Leaf	S	26000	50000	7930	3700	4385	7866	2490	2972	2044	1833	1370	2650	2985	249	1030	1091	6900	CW26400S
	L	26000	50000	8290	5350	6035	11166	2490	2926	2044	1833	1370	4295	4635	210	984	1046	9300	CW26400L
UD-Air	AS	26000	50000	8180	5800	6485	11466	2490	2628	2044	1833	1370	4145	5085	210	986	984	9900	CW26400AS

Variant	Wheelbase code	Mass (kg)					ii) 460HP							Vehicle Dimensions (mm)							UD order code
		GVM*	GCM	Front Tare ¹	Rear Tare ¹	Total Tare ¹	WB	TWB	OL	OW	OH	FT	RT	AS	ROH	CA	GC ²	FHF ²	FHR ²	Turning radius (kerb to kerb)	
UD-Air	AS	26000	60000	4480	3500	7950	3600	4285	7587	2490	2927	2044	1851	1370	2495	2745	210	985	994	6800	CW26460AS
UD-Leaf	K	26000	60000	4490	3530	7990	3600	4285	7587	2490	2970	2044	1851	1370	2495	2745	240	1030	1091	6800	CW26460L

Rated GVM and axle capacities are subject to legal requirements.
 Mass is an estimation only based on standard model, 50 litres Diesel fuel, full AdBlue, excludes driver and tools.
 Based on vehicle with standard wheels and tyres.



WARRANTY

Standard warranty* 24 months / 250,000 kms
Driveline warranty* 36 months / 300,000 kms

*For details refer to your UD Trucks New Vehicle Warranty brochure

UD Trucks New Zealand
udtrucks.com/newzealand

DISCLAIMER: Imported and distributed by UD Trucks Distributors (NZ) Ltd. Photos for illustration purposes. UD Trucks Distributors (NZ) Ltd reserves the right to modify design and change equipment without previous notification. Please consult with your local UD Trucks Dealer for the latest information about vehicle specifications.

Last updated July 2024